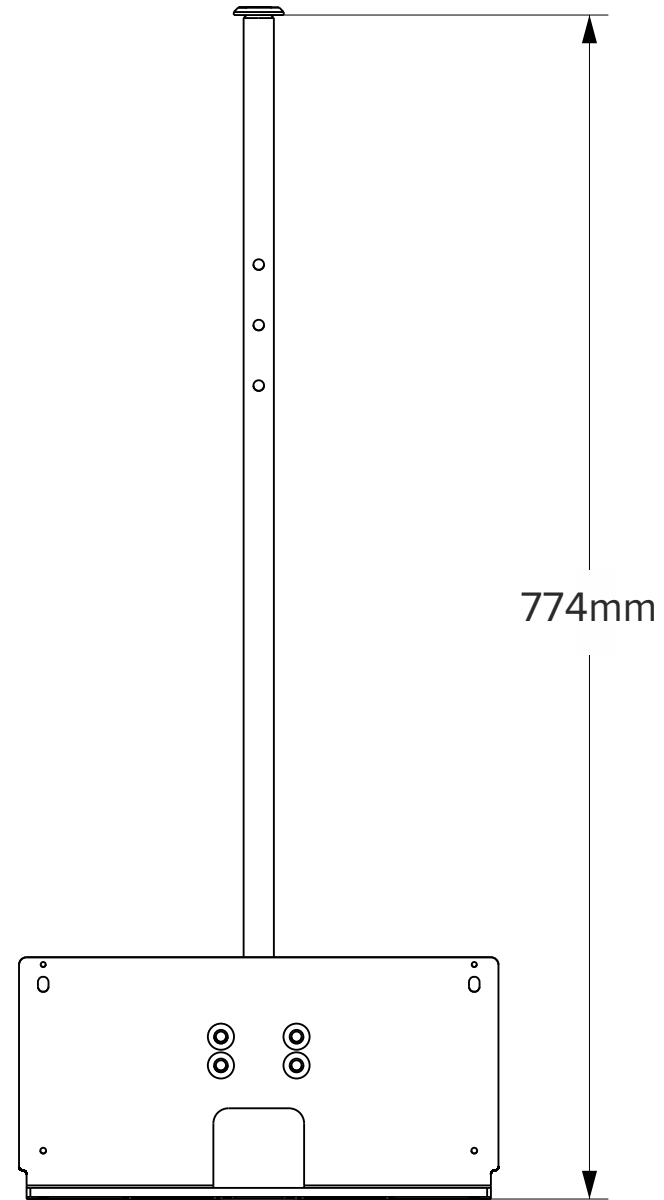
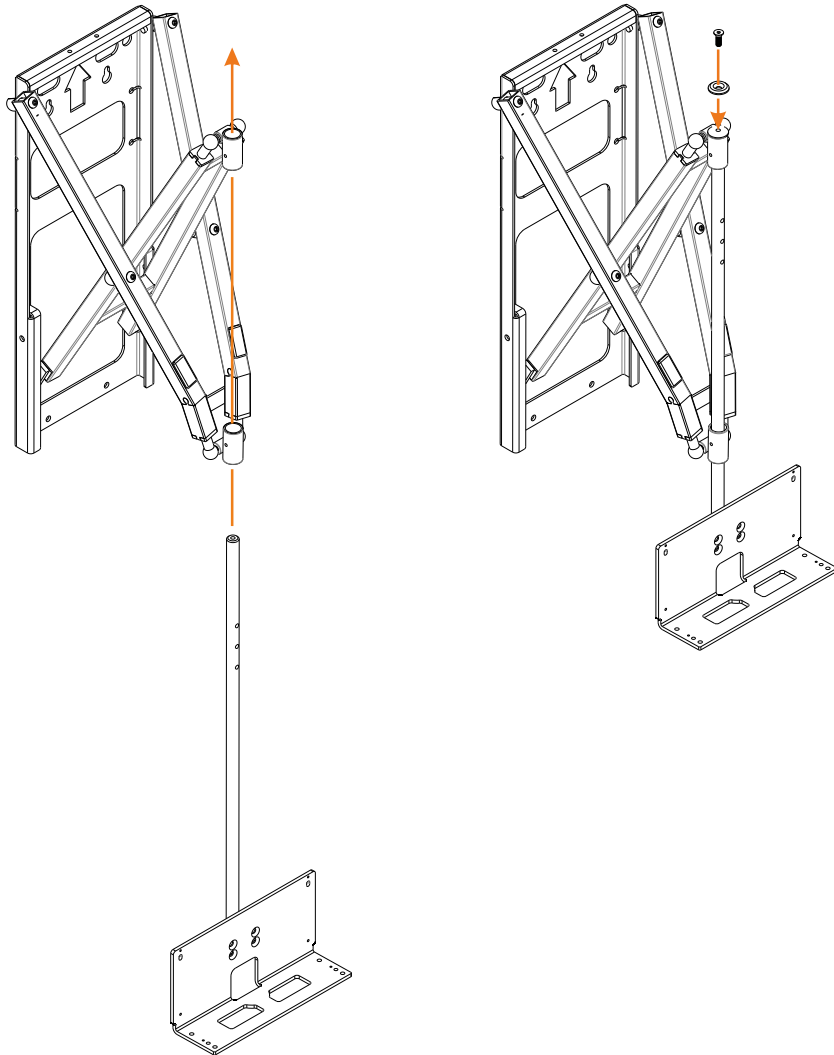
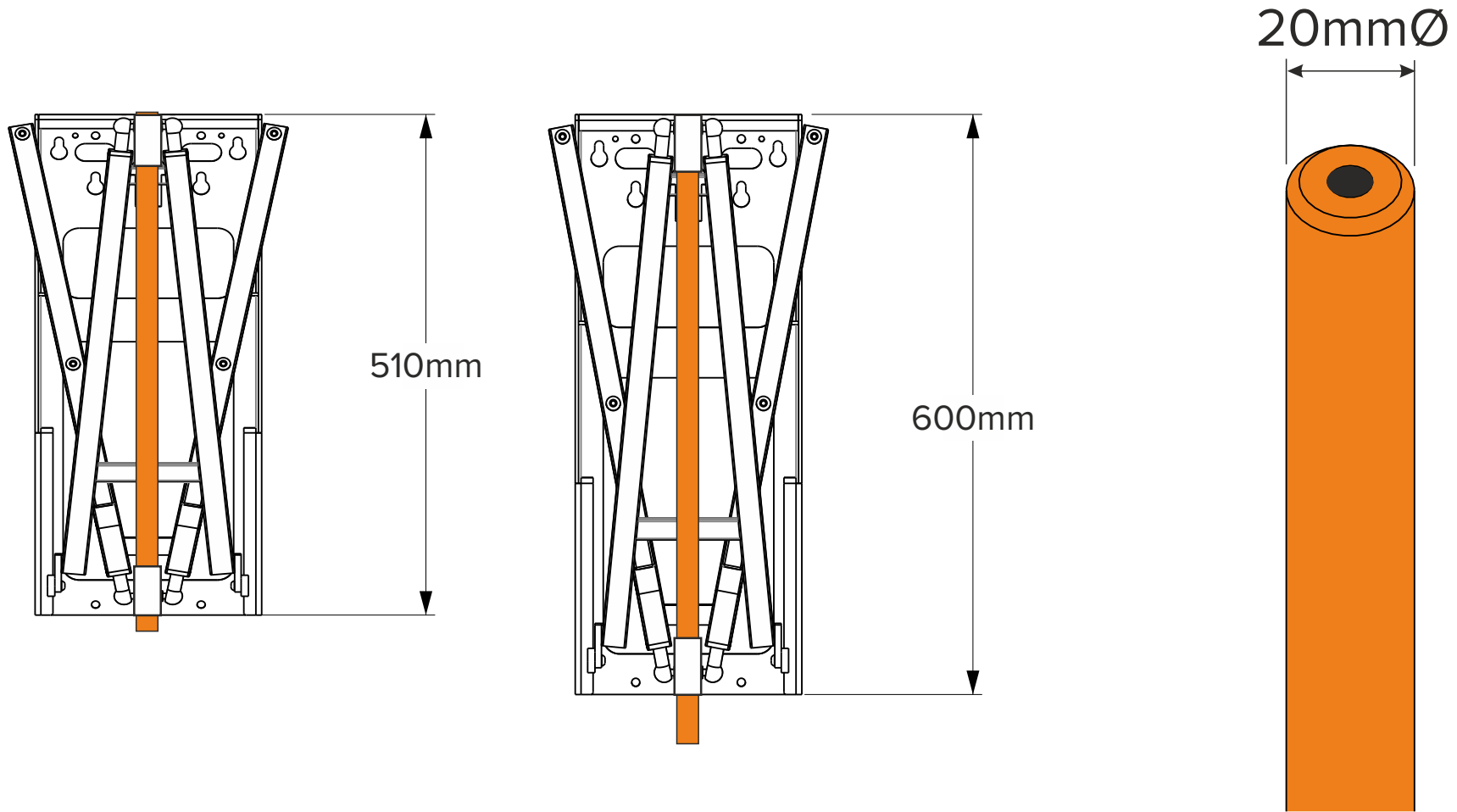


# Installation



# Bracket Compatibility



# Select & install Spacers

